



Data sheet

Hydraulic data

Maximum operating pressure P_N	10 bar
Head max H_{max}	8.4 m
Flow max Q_{max}	4.4 m ³ /h
Min. fluid temperature T_{min}	-20 °C
Max. fluid temperature T_{max}	110 °C
Min. ambient temperature T_{min}	-10 °C
Max. ambient temperature T_{max}	40 °C

Motor data

Energy efficiency index (EEI)	≤0.23
Mains connection	1~230 V ±10%, 50/60 Hz
Rated power P_2	55 W
Min. speed n_{min}	2695 1/min
Max. speed n_{max}	4686 1/min
Power consumption $P_{1 min}$	1 W
Power consumption $P_{1 max}$	75 W
Emitted interference	EN 61000-6-3
Interference resistance	EN 61000-6-2
Electromagnetic compatibility	EN 61800-3
Threaded cable connection	1 x PG11
Insulation class	F
Protection class	IPX4D

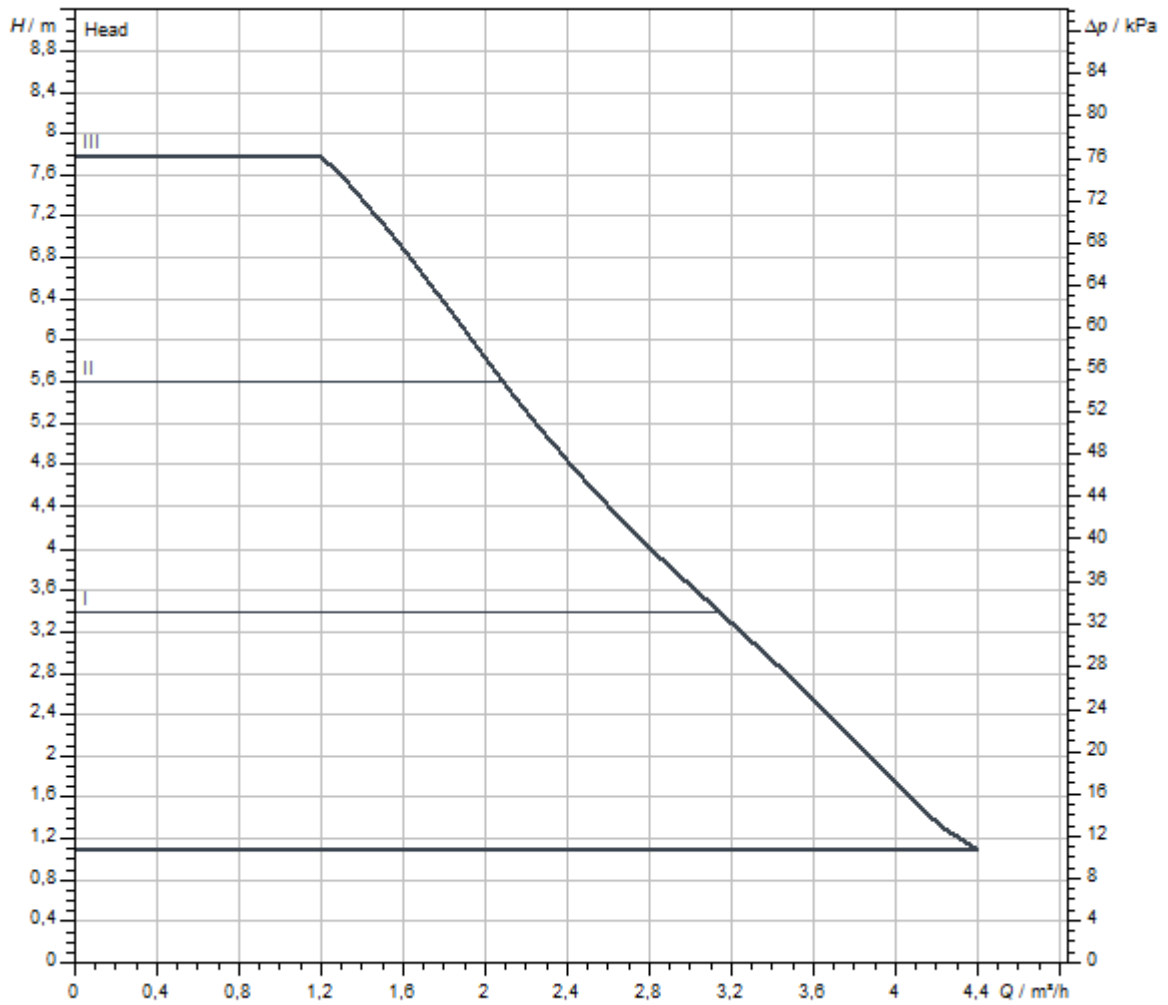
Materials

Pump housing	Grey cast iron
Impeller	PP-GF40
Shaft	Stainless steel
Bearing	Carbon, metal-impregnated

Installation dimensions

Pipe connection on the discharge side DNd	G 2
Pipe connection on the suction side DNs	G 2
Port-to-port length $L0$	180 mm

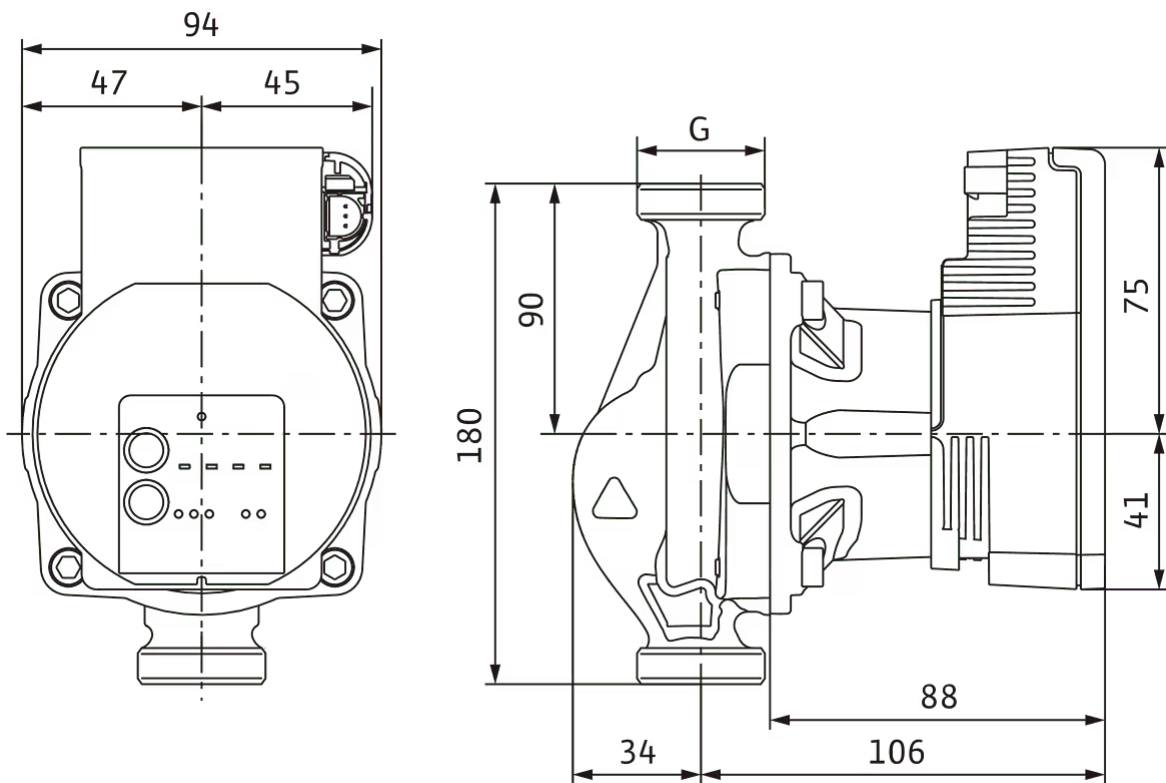
Pump curves



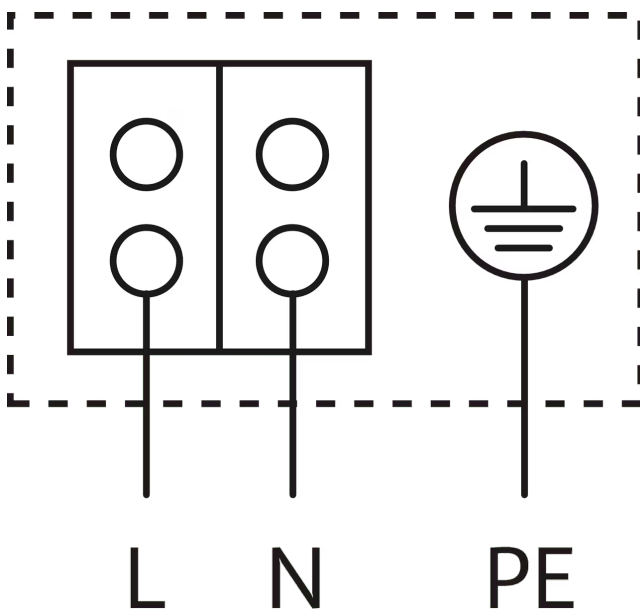
Fluid media	Water 100 %
Fluid temperature T	20,00 °C

Dimensions and dimensions drawings

Varios PICO-STG 30/1-8



Wiring diagram




Blocking current-proof motor

Single-phase motor (EM) 2-pole - 1~230 V, 50 Hz

Ordering information

Product data

Brand	Wilo
Product description	Varios PICO-STG 30/1-8
Article number	4232745 
EAN number	4048482943923
Colour	Green
Minimum order quantity	1
Date of sales availability	2019-09-01

Packaging

Packaging type	Cardboard box
Packaging property	Sales packaging
Pieces per pallet	198
Number per layer	24

Dimension, weight

Length with packaging	194 mm
Length <i>L</i>	180 mm
Height with packaging	105 mm
Height <i>H</i>	94 mm
Width with packaging	174 mm
Width <i>W</i>	140 mm
Gross weight, approx. <i>m</i>	2.4 kg
Net weight, approx. <i>m</i>	2.2 kg

Mechanical accessories

Pipe installation

Screwed connections/adapters

Screwed connection Rp 1¼ x G 2, 48 Set	112047390	EUR 720.-
Screwed connection Rp 1¼ x G 2, 1 Set	4092742	EUR 13.-

Pipe installation, adapter fitting

Flanged rings RF

Flanged ring RF 1, PN6	110627990	EUR 58.-
Flanged ring RF 0, PN6	110679796	EUR 58.-
Flanged ring RF 11, PN6	110679899	EUR 72.-
Flanged ring RF 2, PN6	110680298	EUR 67.-
Flanged ring RF 3, PN6	110680596	EUR 68.-
Flanged ring RF 4, PN6	110680699	EUR 89.-
Flanged ring RF 4, PN10/16	110680791	EUR 94.-
Flanged ring RF 8, PN6	110680997	EUR 58.-
Flanged ring RF 5, PN6	110787197	EUR 77.-
Flanged ring RF 6, PN6	110787290	EUR 89.-
Flanged ring RF 5, PN10/16	110791299	EUR 109.-
Flanged ring RF 6, PN10/16	110791391	EUR 113.-
Flanged ring RF 12, PN6	110851797	EUR 71.-

Threaded adapter R

Threaded adapter R 8, GG	110627199	EUR 45.-
Threaded adapter R 9, GG	110627291	EUR 48.-
Threaded adapter R 10, GG	110627394	EUR 48.-
Threaded adapter R 14, GG	110627497	EUR 52.-
Threaded adapter R 11, GG	110627590	EUR 60.-

Thermal insulation

Thermal insulation shell

Thermal insulation shell	4206066	EUR 12.-
--------------------------	---------	----------

Electrical accessories

Pump control

Timer switch SK 601N

Switchgear SK 601N	2120443	EUR 215.-
--------------------	---------	-----------

Plug

Angle plug

Angle plug	4150229	EUR 26.-
------------	---------	----------

Connector

Wilo-Connector	4200870	EUR 32.-
----------------	---------	----------

PWM signal cable

PWM signal cable	4193901	EUR 24.-
Bidirectional iPWM control cable	4222049	EUR 25.-