



## Data sheet

### Hydraulic data

Maximum operating pressure $P_N$	10 bar
Head max $H_{max}$	13.6 m
Flow max $Q_{max}$	2.4 m <sup>3</sup> /h
Min. fluid temperature $T_{min}$	-20 °C
Max. fluid temperature $T_{max}$	110 °C
Min. ambient temperature $T_{min}$	-10 °C
Max. ambient temperature $T_{max}$	40 °C

### Motor data

Energy efficiency index (EEI)	≤0.23
Mains connection	1~230 V ±10%, 50/60 Hz
Rated power $P_2$	55 W
Min. speed $n_{min}$	2957 1/min
Max. speed $n_{max}$	4807 1/min
Power consumption $P_{1 min}$	1 W
Power consumption $P_{1 max}$	75 W
Emitted interference	EN 61000-6-3
Interference resistance	EN 61000-6-2
Electromagnetic compatibility	EN 61800-3
Threaded cable connection	1 x PG11
Insulation class	F
Protection class	IPX4D

### Materials

Pump housing	Grey cast iron
Impeller	PPO/PS-GF30
Shaft	Stainless steel
Bearing	Carbon, metal-impregnated

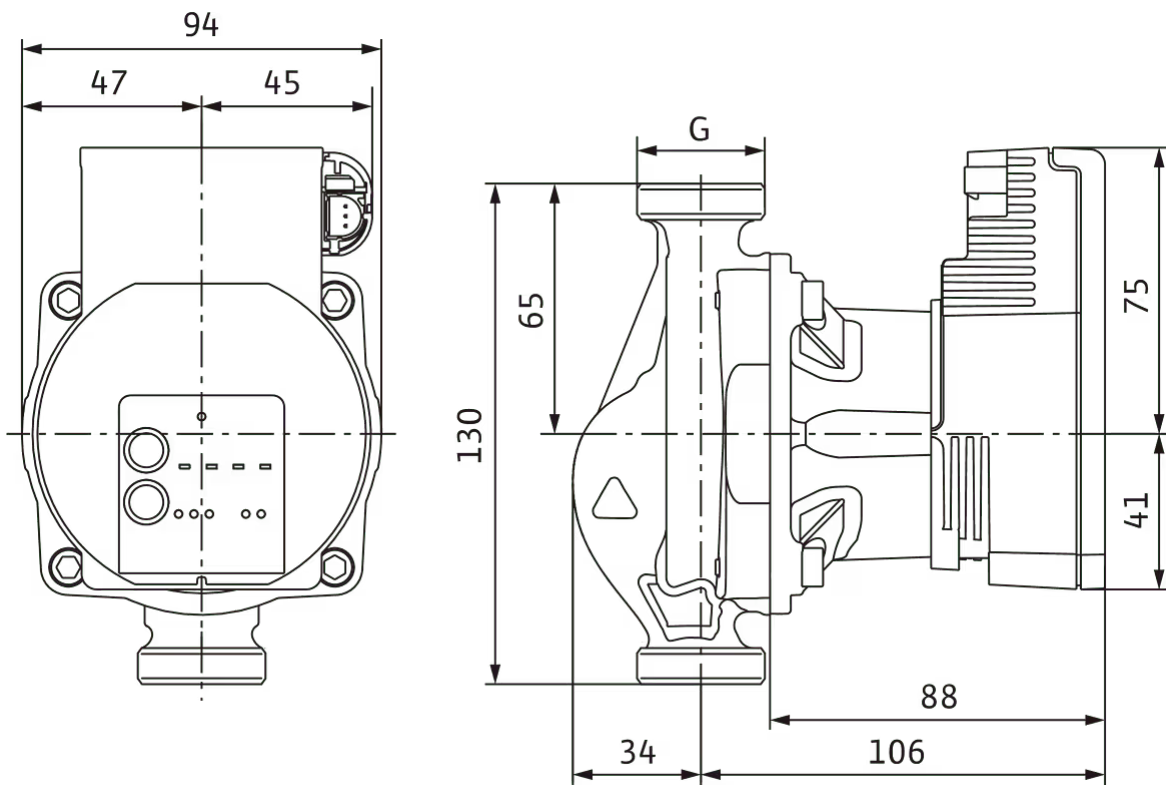
### Installation dimensions

Pipe connection on the discharge side $DNd$	G 1
Pipe connection on the suction side $DNs$	G 1
Port-to-port length $L0$	130 mm

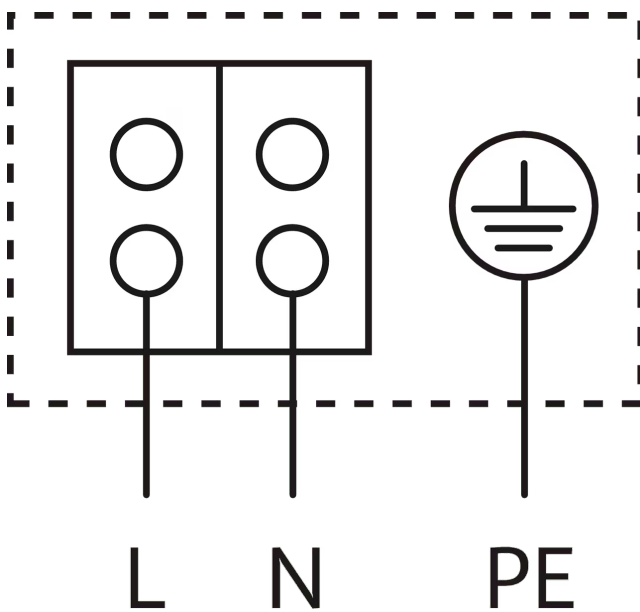
## Pump curves

Dimensions and dimensions drawings

Varios PICO-STG 15/1-13



Wiring diagram



Blocking current-proof motor

Single-phase motor (EM) 2-pole - 1~230 V, 50 Hz

## Ordering information

### Product data

Brand	Wilo
Product description	Varios PICO-STG 15/1-13
Article number	<b>4232746</b>
EAN number	4048482946139
Colour	Green
Minimum order quantity	1
Date of sales availability	2019-09-01

### Dimension, weight

Length with packaging	194 mm
Length <i>L</i>	140 mm
Height with packaging	105 mm
Height <i>H</i>	94 mm
Width with packaging	174 mm
Width <i>W</i>	140 mm
Gross weight, approx. <i>m</i>	2 kg
Net weight, approx. <i>m</i>	1.8 kg

### Packaging

Packaging type	Cardboard box
Packaging property	Sales packaging
Pieces per pallet	198
Number per layer	24

## Mechanical accessories

### Pipe installation

#### Screwed connections/adapters

Screwed connection Rp ½ x G 1, 1 Set	4090808	EUR 15.-
--------------------------------------	---------	----------

### Thermal insulation

#### Thermal insulation shell

Thermal insulation shell	4206066	EUR 12.-
--------------------------	---------	----------

## Electrical accessories

### Pump control

#### Timer switch SK 601N

Switchgear SK 601N	2120443	EUR 215.-
--------------------	---------	-----------

### Plug

#### Angle plug

Angle plug	4150229	EUR 26.-
------------	---------	----------

#### Connector

Wilo-Connector	4200870	EUR 32.-
----------------	---------	----------

#### PWM signal cable

PWM signal cable	4193901	EUR 24.-
Bidirectional iPWM control cable	4222049	EUR 25.-